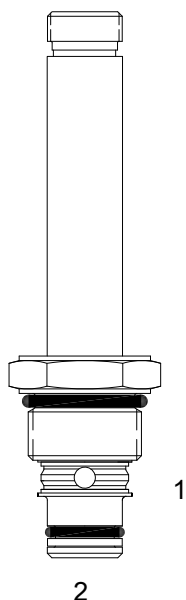


## PB-S2C PILOT OPERATED POPPET, 2 WAY NORMALLY OPEN



### DESCRIPTION

8 size, 3/4-16 thread, "Power" series, solenoid operated, 2 way normally open, pilot operated poppet valve with free reverse flow energized.

### OPERATION

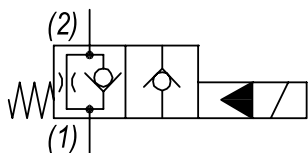
When de-energized the PB-S2C allows flow from (1) to (2) and restricted flow from (2) to (1). When energized the valve blocks flow from (1) to (2) and allows flow from (2) to (1).

**OPERATION OF MANUAL OVERRIDE OPTION:** to override, turn the manual override screw clockwise. To release turn the manual override screw counterclockwise.

### FEATURES

- Hardened parts for long life.
- Efficient wet-armature construction.
- Cartridges are voltage interchangeable.
- Manual override option.
- Industry common cavity.
- Unitized, molded coil design.
- Continuous duty rated solenoid.
- Optional coil voltages and terminations.
- Optional "I" Coil: Weatherproof, Thermal Shock, Immersion Safe.

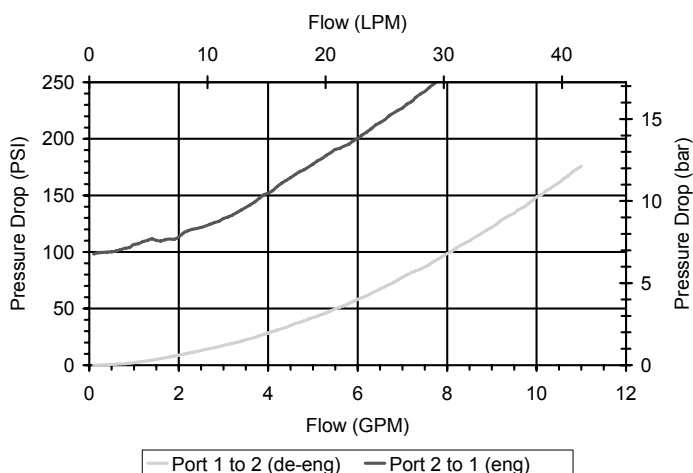
### HYDRAULIC SYMBOL



Unshifted limit 10 GPM (38 LPM) from (1) to (2) when deenergized. For shifted flow performance consult chart.

### PERFORMANCE

Actual Test Data (Cartridge Only)



### VALVE SPECIFICATIONS

|                                    |                                 |
|------------------------------------|---------------------------------|
| Nominal Flow                       | 10 GPM (38 LPM)                 |
| Rated Operating Pressure           | 3500 PSI (241 bar)              |
| Typical Internal Leakage (150 SSU) | 0-5 drops/min                   |
| Viscosity Range                    | 36 to 3000 SSU (3 to 647 cSt)   |
| Filtration                         | ISO 18/16/13                    |
| Media Operating Temp. Range        | -40° to 250°F (-40° to 120°C)   |
| Weight                             | .22 lbs (.10 kg)                |
| Operating Fluid Media              | General Purpose Hydraulic Fluid |
| Cartridge Torque Requirements      | 25 ft-lbs (34 Nm)               |
| Coil Nut Torque Requirements       | 4-6 ft-lbs (5.4-8.1 Nm)         |
| Cavity                             | POWER 2W                        |
| Cavity Tools Kit                   |                                 |
| (form tool, reamer, tap)           | 40500005                        |
| Seal Kit                           | 21191100                        |

**WARNING:** the specifications/application data shown in our catalogs and data sheets are intended only as a general guide for the product described (herein). Any specific application should not be undertaken without independent study, evaluation, and testing for suitability.

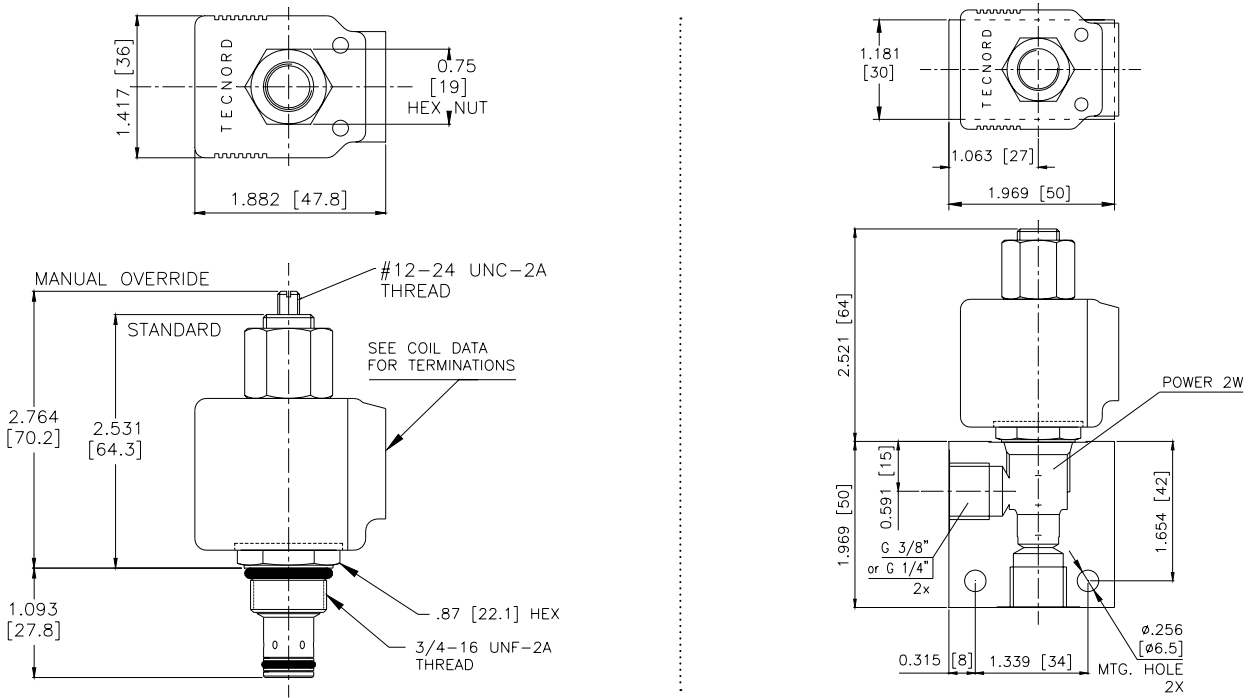


4484 Boeing Drive Rockford, IL 61109 • USA • Phone +1 (815) 397-6628 • Fax +1 (815) 397-2526  
mail: delta@delta-power.com • www.delta-power.com



Via Malavolti, 36 • 41122 Modena • ITALY • Phone +39 (059) 254895 • Fax +39 (059) 253512  
mail: tecnord@tecnord.com • www.tecnord.com

**DIMENSIONS**



**ORDERING INFORMATION**

Approximate Coil Weight: .42 lbs (.19 kg)

**PB-S2C**

- OPTIONS**
- Buna Standard **00**
  - Viton Standard **V0**
  - Buna, Override, Detent **0M**
  - Viton, Override, Detent **VM**
  - Buna, Override, Knob **0K**
  - Viton, Override, Knob **VK**
  - Buna, Screen **A0**
  - Viton, Screen **W0**
  - Buna, Screen, Override **B2**
  - Viton, Screen, Override **V2**
  - Buna, Screen, Override, Knob **B5**
  - Viton, Screen, Override, Knob **V5**

**Note: use screen only if flow direction is from (1) to (2)**

- BODIES**
- Blank** Without Body
  - N** 1/4" BSP Ports
  - N1** 3/8" BSP Ports
  - S** #6 SAE Ports

- VOLTAGE** (other voltages available on request)
- 12** 12 VDC
  - 24** 24 VDC
  - 22** 220 VAC without internal rectifier

**"P" TYPE "J" COIL TERMINATION**

- JA** "J" Coil AMP Superseal - Integral
- JD** "J" Coil Deutsch - Integral DT04-2P
- JJ** "J" Coil AMP Jr. Time - Integral
- JL** "J" Coil Double Lead
- JH** "J" Coil DIN 43650 (Hirschmann)

W 40 / 2017

**WARNING:** the specifications/application data shown in our catalogs and data sheets are intended only as a general guide for the product described (herein). Any specific application should not be undertaken without independent study, evaluation, and testing for suitability.



4484 Boeing Drive Rockford, IL 61109 • USA • Phone +1 (815) 397-6628 • Fax +1 (815) 397-2526  
 mail: delta@delta-power.com • www.delta-power.com



Via Malavolti, 36 • 41122 Modena • ITALY • Phone +39 (059) 254895 • Fax +39 (059) 253512  
 mail: tecnord@tecnord.com • www.tecnord.com